



120V



GENERAL INFORMATION

Source 4WRD (Watt Reduction Device) LED is a replacement for a standard Source Four® burner assembly that will convert the HPL source to a white-light LED and provides a significant reduction in power consumption. The simple and quick upgrade is nondestructive and takes less than a minute. In most cases it can even be done without breaking the fixture's focus. Source 4WRD LED is theatrically dimmable via DMX or line dimmable, with a traditional LED curve, to allow flexibility for your installation. And, because it is an LED source, your fixtures will run cool and efficiently without lamp replacements.

APPLICATIONS

- Energy saving retrofits
- Houses of worship
- Universities and schools
- Hospitality
- Retail
- Exhibition centers
- Meeting rooms
- Clubs
- Cafeteriums
- Theaters

ORDERING INFORMATION

Source 4WRD

MODEL	DESCRIPTION
S4WRD	Source 4WRD Retrofit kit
S4WRDFB*	Source 4WRD w/ Fixture Body

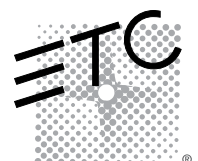
*S4WRDFB ships with a fixture body, barrel and c-clamp. Lens tubes are sold separately.

Connector Designation

Use Suffixes below to specify Factory-Fitted Connector type

MODEL	DESCRIPTION
-A	Parallel-blade U-ground connector
-B	Two-pin and ground, 20 amp connector
-C	Grounded, 20 amp, twistlock connector

See back page for Source Four Accessories





120V

White-Light LED Retrofit

SPECIFICATIONS

PHYSICAL

- Rugged, die cast aluminum construction
- Can be fitted to any Source Four fixture body (not for Source Four Par/nel, Fresnel or jr.)
- Seven segment display for simple DMX setup
- Two button user interface
- Easy mounting with single screw attachment
- Replaces Source Four burner assembly
- Available in black, white, silver and custom color
- IP20 rating for indoor use only
- UL and cUL Listed
 - S4WRD: UL1598C
 - S4WRDFB: UL1573
- US patents issued and pending
- Three-year warranty

ELECTRICAL

- 114-125V, 60Hz
- 155 watt draw at full (182 watt theoretical max. draw)
- 30,000 hour L70 Rating (ETC estimate)
 - Life testing under way. Results pending
- DMX in and thru via RJ45 connector
 - DMX is not self terminating
- One-meter power cord
- AC and DMX dimmable (see 'Dimming Performance' note)
- Two fixtures per circuit (D20 Module) when using AC dimming
- 14 fixtures per non-dim circuit (R20 Module) when using DMX dimming
- Inrush: 30A (First half-cycle) at 120V
- Typical Power Consumption at 120V
 - Idle Power / Current:
 - DMX Mode: 1.2W/.046A
 - AC Mode: 0W
 - Full Intensity Power / Current: 155.7W/1.35A

OPTICAL

- Tool free field adjustment
- LED lamp consisting of four CREE LED Modules
 - LED lamp is fragile and should not be touched
- 3000K, 80CRI output
- Uses the Source Four ellipsoidal's existing reflector and optical system

THERMAL

- 5-40° C (41-104° F) operating range
 - Fixture must be above freezing temperatures for one hour before being energized.
- Quiet fan cooling
- Fixture is designed for continuous operation up to 104° F (40°C) ambient temperature and requires free flow of air around fixture housing

SPECIFICATIONS

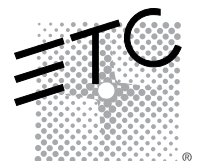
DIMMING PERFORMANCE

- Source 4WRD LED is capable of being both DMX or line-dimmed by a conventional SCR dimmer. In AC dimming mode, performance can vary based on the dimmer used and its control settings. For this reason, AC dimming is best suited for level setting or traditional LED quality dimming situations. When high-performance dimming is required, DMX mode should be used. We recommend testing Source 4WRD LED on existing dimmers you may wish to use.

PHOTOMETRICS

For full Source 4WRD photometry data, please view the Source 4WRD Photometry Guide at www.etcconnect.com

DEGREE	S4WRD LED LUMENS	HPL 575W/120X LUMENS	HPL 750W/115V LUMENS
5	6,577	5,247	9,370
10	7,482	6,678	11,925
14	7,696	7,196	12,850
19	6,818	6,261	11,180
19 EDLT	8,008	7,287	13,012
26	7,597	7,666	13,690
26 EDLT	9,502	8,631	15,412
36	8,959	7,974	14,240
36 EDLT	9,006	7,992	14,271
50	8,652	7,829	13,980
50 EDLT	8,446	8,085	14,437
70	9,909	9,033	16,130
90	9,843	7,395	13,205



White-Light LED Retrofit

ORDERING INFORMATION

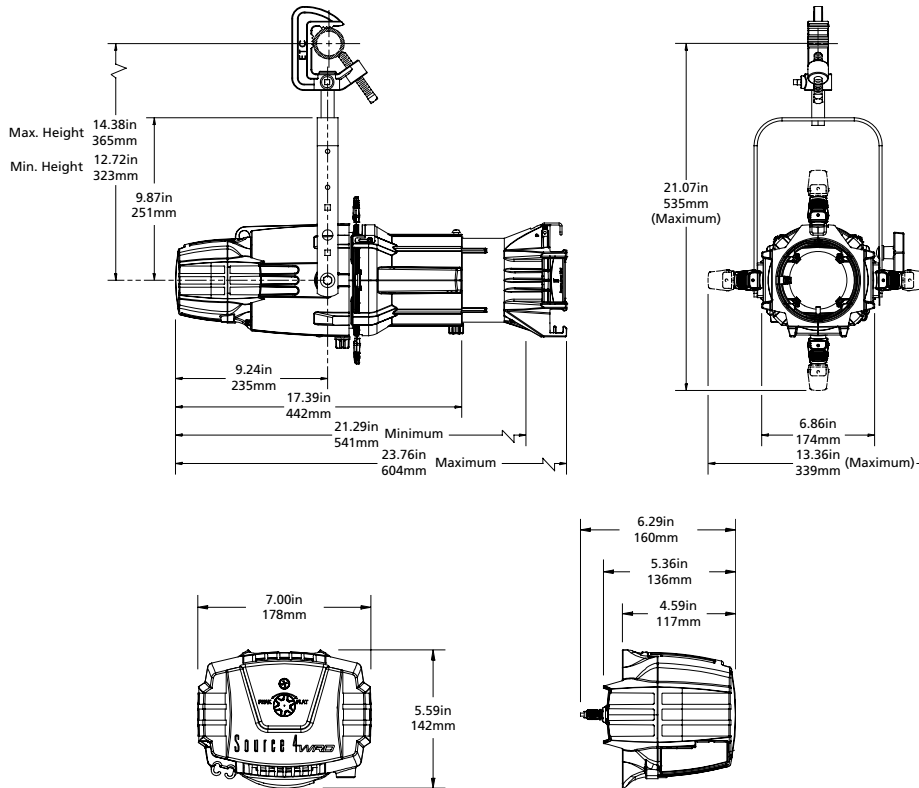
Continued from front page...

Source Four Accessories

MODEL	DESCRIPTION
400CC	C-clamp
400PH-A	Pattern holder (A size)
400PH-B	Pattern holder (B size)
400PH-G	Glass pattern holder
400SC	Safety cable
400RS	Drop-in iris
400CF	Colorframe (6.25")
400DN	Donut (6.25")
400TH	Top hat
400HH	Half hat
400GE	Gel extender (Recommended for 19° and 26° only)
407GE	Conical gel extender (requires 407CF below)
407CF	7.5" Square color frame (required for 14°, 70°, 90° and 407GE)
400FB	Source Four fixture body, single clutch

Note: For colors other than black or white, please call ETC.

PHYSICAL



Source 4WRD Dimensions

MODEL	HEIGHT		WIDTH		DEPTH	
	Inches	mm	Inches	mm	Inches	mm
S4WRD	5.59	142	7.00	178	6.29	160
S4WRDFB w/ 26 deg. lens	21.07	535	13.36	339	23.76	604

Source 4WRD Weights*

MODEL	WEIGHT		SHIPPING WEIGHT	
	lbs	kgs	lbs	kgs
S4WRD	3.73	1.69	4.25	1.93
S4WRDFB (no lens)	13.2	5.99	14	6.35

*Source 4WRD adds 2.05 lbs to the total fixture weight over a standard burner assembly.



Corporate Headquarters • 3031 Pleasant View Rd, PO Box 620979, Middleton WI 53562 0979 USA • Tel +1 608 831 4116 • Fax +1 608 836 1736
 London, UK • Unit 26-28, Victoria Industrial Estate, Victoria Road, London W3 6UU, UK • Tel +44 (0)20 8896 1000 • Fax +44 (0)20 8896 2000
 Rome, IT • Via Pieve Torina, 48, 00156 Rome, Italy • Tel +39 (06) 32 111 683 • Fax +44 (0)20 8752 8486
 Holzkirchen, DE • Ohmstrasse 3, 83607 Holzkirchen, Germany • Tel +49 (80 24) 47 00-0 • Fax +49 (80 24) 47 00-3 00
 Hong Kong • Room 1801, 18/F, Tower 1 Phase 1, Enterprise Square, 9 Sheung Yuet Road, Kowloon Bay, Kowloon, Hong Kong • Tel +852 2799 1220 • Fax +852 2799 9325
 Web • www.etconnect.com • Copyright©2016 ETC. All Rights Reserved. All product information and specifications subject to change. 7067L1001 Rev. A Printed in USA 1/16